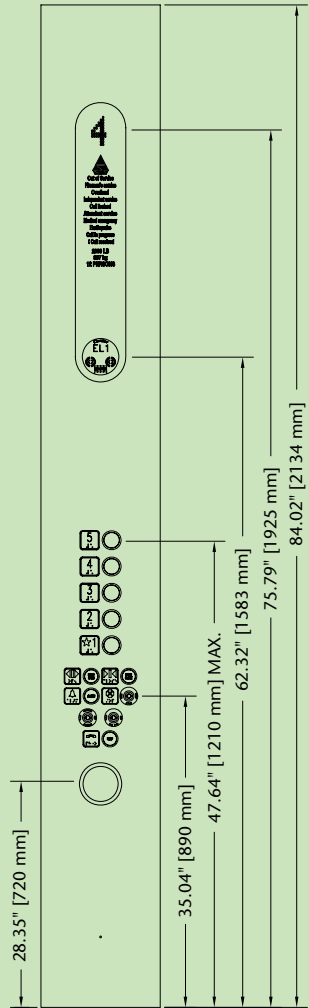
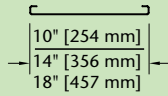
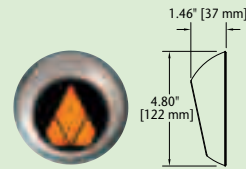
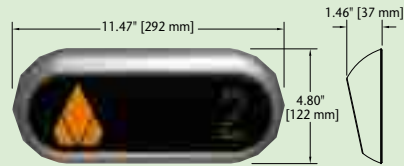


KSS 370

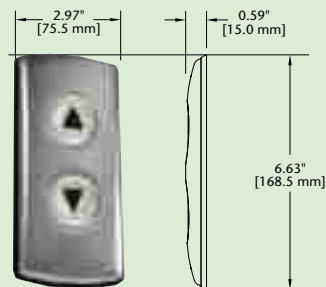
Width is determined by push button quantity and arrangement



Hall Lanterns



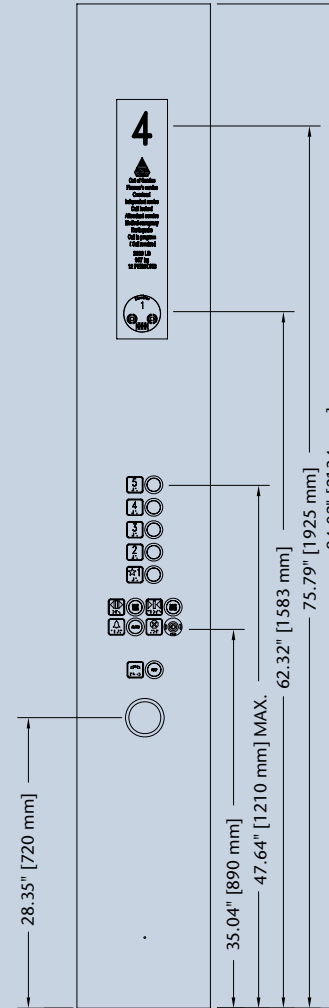
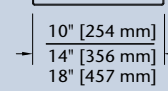
Hall Stations



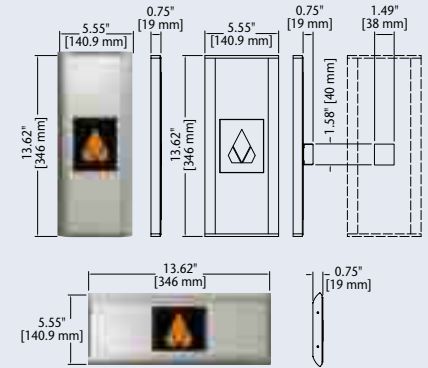
Face Plate Material: Stainless steel
Face Plate Finish: Satin
Shape: Rectangle
Displays: Amber dot matrix
Buttons: Round with amber acceptance light

KSS 500

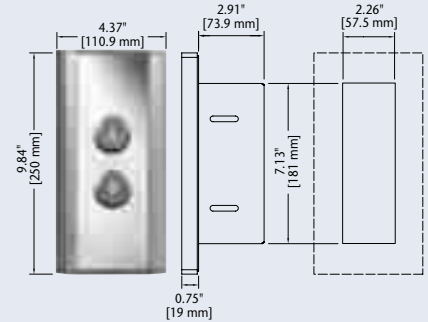
Width is determined by push button quantity and arrangement



Hall Lanterns

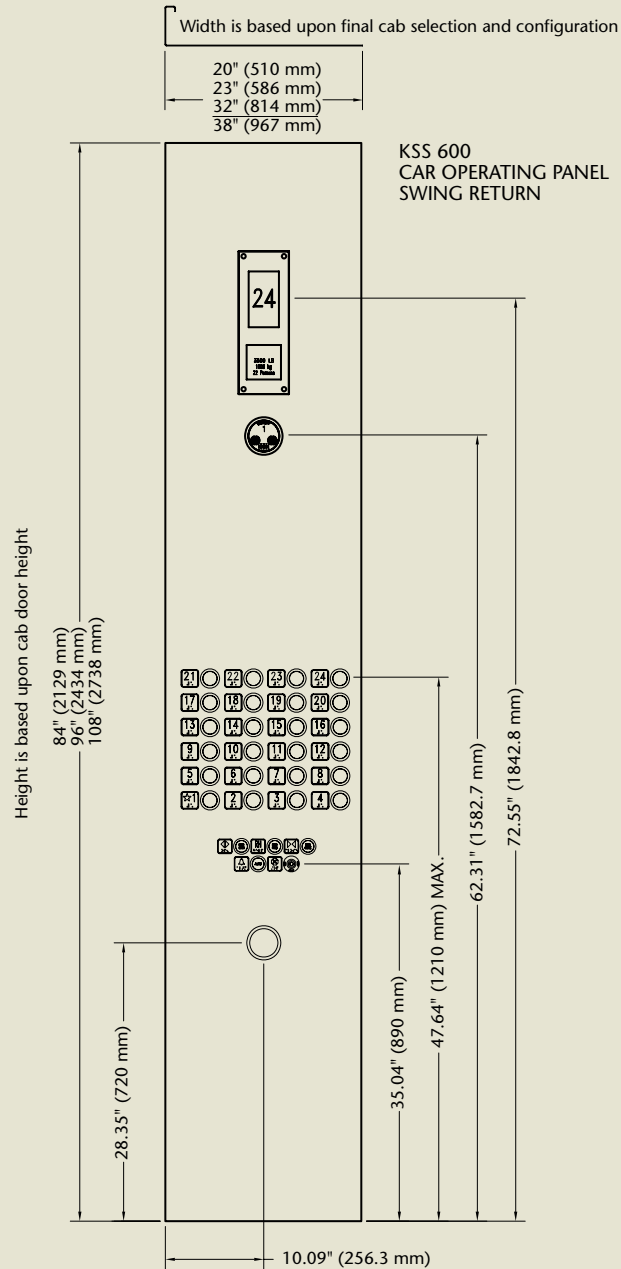


Hall Stations

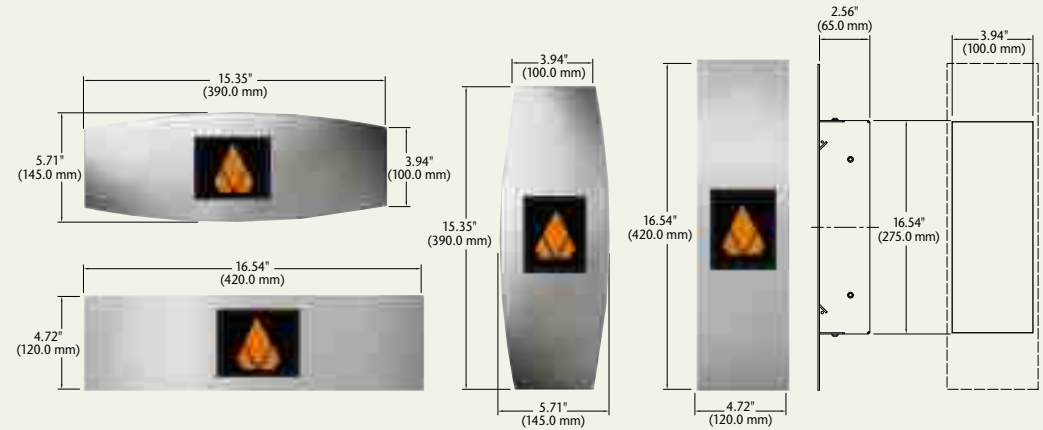


Face Plate Material: Stainless steel or bronze
Face Plate Finish: Satin or mirrored
Shape: Rectangle
Displays: White or amber dot matrix
Buttons: Round with amber or white call acceptance light

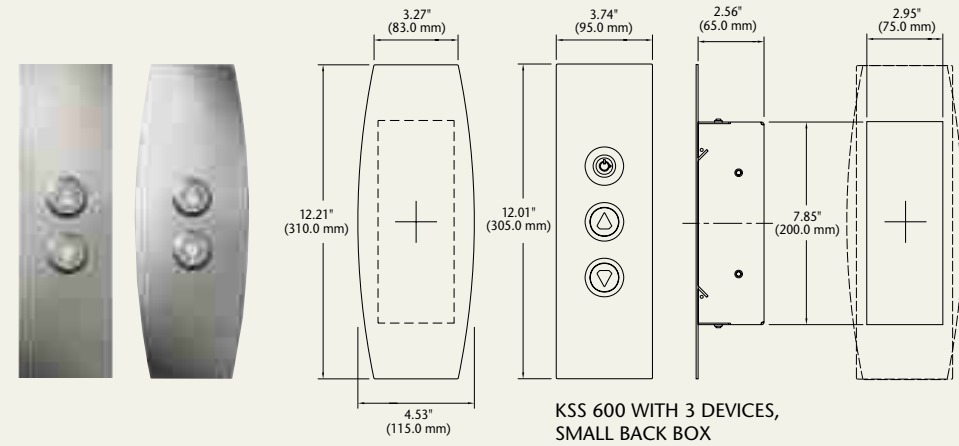
KSS 600



Hall Lanterns



Hall Stations



Face Plate Material: Stainless steel or bronze

Face Plate Finish: Satin or mirrored

Displays: White or amber dot matrix, or white LCD

Buttons: Round with amber or white call acceptance light

Mounting: Integral swing or surface mounted