



Shopping made easy

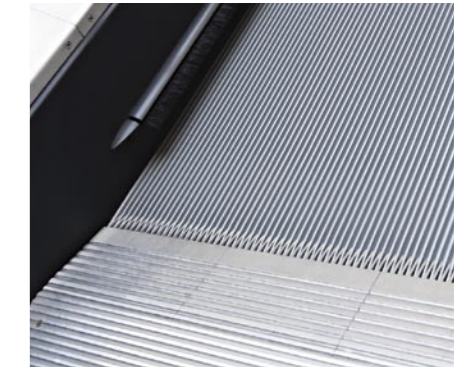
The KONE TravelMaster™ Inclined Autowalk brings a new level of simplicity and comfort to shopping. It allows easy and safe access to all parts of the building, even when moving with a loaded cart or trolley.

Blending engineering know-how and style, this reliable and durable solution from KONE, a globally recognized escalator and autowalk specialist, is an asset to any quality shopping experience.

Maximum safety is built into the design of the KONE TravelMaster™ Inclined Autowalk and ensured through rigorous testing under real on-site conditions.

Tailored for the retail environment

- Timeless design that complements the architecture of any building
- Smooth ride with synchronized handrail speed to maximize safety
- Numerous lighting options that guide the customers and enhance the shopping atmosphere
- Proven KONE technology, renowned for safety and efficiency
- Maximum availability through advanced control system
- Fast and effective troubleshooting through built-in diagnostics



Ecologically designed for efficiency

- Environmental and fire safety with the optional lubrication-free chain
- KONE expertise to ensure a lifetime of reliable performance
- The industry's longest oil change intervals

Uncompromising reliability

- Optional stainless steel cladding and skirts for increased durability and style
- Semi-outdoor operation, even in compromising conditions, through optional weatherproofing

Future-proof investment

- KONE's focus on low lifecycle costs and modernization possibilities ensure a sound return on investment
- KONE is your global partner and can offer 24-hour call centers and matching spare parts availability

List of available options

- Continuous handrail lighting
- Spot skirt lighting
- Comb lights
- Pallet demarcation lights
- Different skirt materials and colors
- Stainless steel access covers
- Yellow combs
- Black painted pallets
- Yellow pallet edge demarcations
- Primed and stainless steel cladding
- Skirt brush deflector guard
- Diagnostic display
- Phase failure device
- Remote stop relay
- Lubrication-free chain
- Weatherproofing options
- Optional 1-2 level steps on upper and lower landing for extra safety and comfort



Basic characteristics

Max vertical rise	2 - 6 m
Number of level pallets	0 bottom/1 top
Inclination	10, 11 and 12 degrees
Speed	0.5 m/s
Pallet width	800 mm and 1000 mm
Balustrade type	Glass
Balustrade height	1000 mm
Codes	EN115 and other national codes

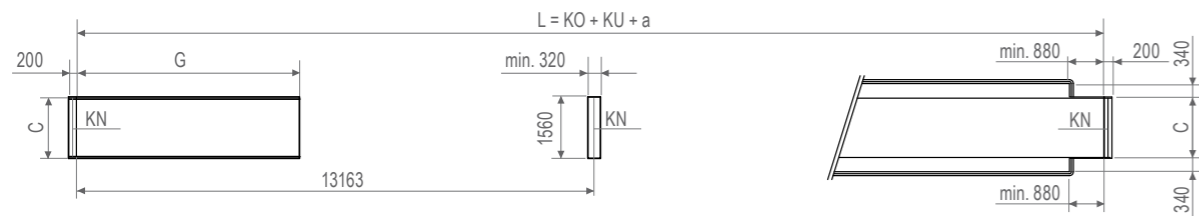
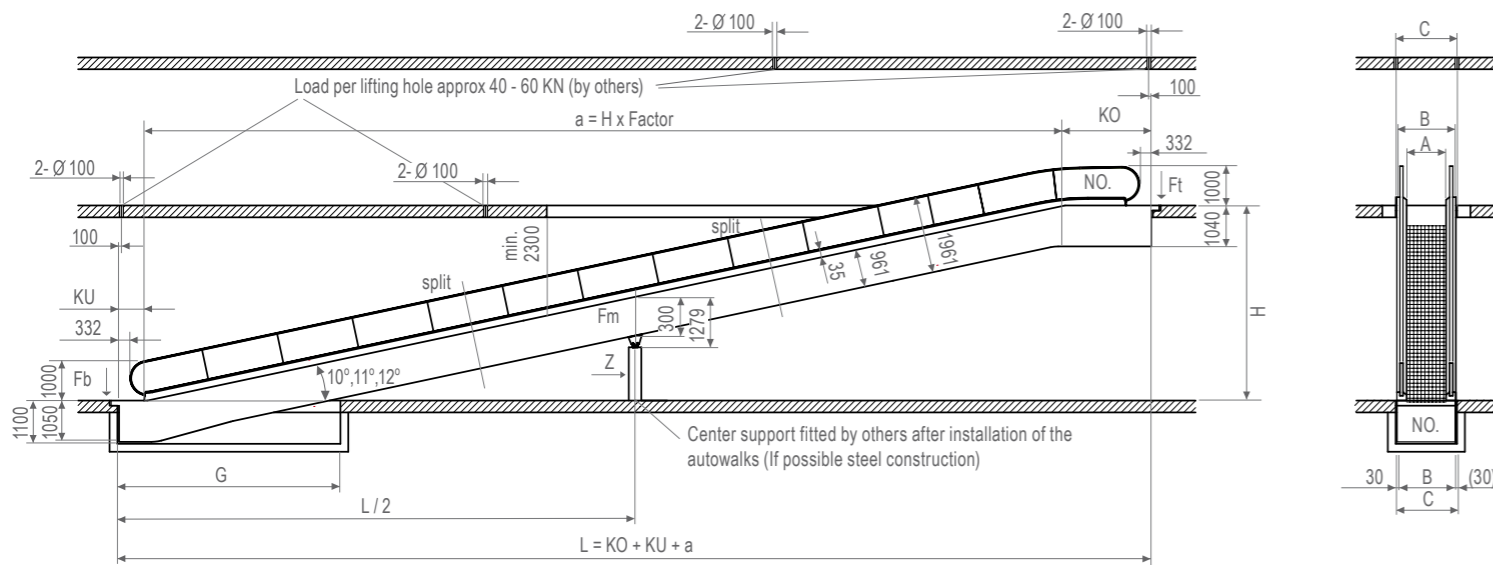
Dimensions

Inclination	10°	11°	12°
KO	2666	2430	2233
KU	905	827	763
G	6730	6150	5670
KO + KU	3571	3257	2996
Factor	5.671	5.145	4.705

Pallet width	800	1000
A	800	1002
B**	1302	1500
C**	1362	1560

All dimensions in millimeters
 For other truss packages, please contact your KONE representative
 **with special outer cladding add 20 mm per side

KONE TravelMaster™ Inclined Autowalks



Type	A	B	C
80	800	1302	1362
100	1002	1500	1560



KONE TravelMaster™ Inclined Autowalk

A NEW LEVEL OF SHOPPING COMFORT