

The heart of your building™



KONE TransitMaster™

ESCALATOR FOR ABSOLUTE RELIABILITY AND AVAILABILITY

KONE TransitMaster™ Escalator ...

Exceptional solution to the most demanding environments. With two platforms and a multitude of options KONE TransitMaster™ can accurately answer any need with unsurpassed reliability and availability. With industry's leading drive and chain technology, KONE TransitMaster™ is the absolute solution for masses on the move.



Heavy-duty drive



Heavy-duty connection joint



Chain return sprocket



Step chain with inside rollers



Step chain with outside chain rollers

The lifetime and load profile you need

- Durable solutions with **customer preferred lifetime**.
- Wider track transition radii and durable chain guidance system with a return sprocket available to extend chain lifetime.
- A choice of durable 100 mm outside rollers or 75 mm inside rollers allow an increase in capacity and a lower need for chain replacement, reducing downtime and repair time and **increasing escalator availability**.
- V-type handrail cuts out slippage while being highly durable and providing a **safe and comfortable ride**.

Reliability in any environment

- All visible parts are available in stainless steel to **increase durability and lifetime** even in the most demanding conditions.
- If needed KONE TransitMaster™ can be fitted to be perfectly at home in demanding outdoor environments thanks to **hot-dip galvanization** and water drainage features and weatherproof electrical installation.



Outdoor environment



Stainless steel deckings and cladding

... Technically outstanding



Glass cladding



Comb lighting



Continuous skirt light



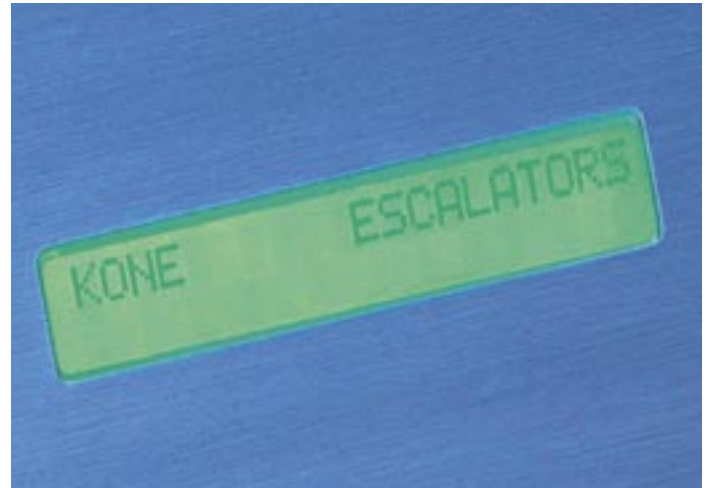
Traffic lights in columns

Aesthetics to enhance ambience

- Elegant and durable solid balustrade for heavy wear environments.
- **Stylish and efficient** glass balustrade for performance and looks.
- Skirt and handrail lighting options for style.
- Various handrail colors to ease integration with the building.
- Optional newel end wheel with glass sides for **modern look**.

Efficient operation

- Energy-efficient and inviting stand-by speed option and the reliable stop-and-go solution.
- Remote monitoring and diagnostics with **real-time response** to possible problems to ensure the problem is fixed, sometimes even before anything breaks down.
- The highly efficient ECO3000 drive system reduces energy and oil consumption, while oil changes are reduced to an absolute minimum.
- The possibility for a **lubrication-free** chain means no oil on the chain, a cleaner escalator and environment, reduced fire hazard, simpler cleaning and easier maintenance.
- **Proven safety features** and the flexibility to become as part of the building's own safety systems e.g with sprinkler piping.
- The inverter enables smooth braking independent of load, reducing brake wear, saving energy and **lowering lifecycle costs**.



Diagnostic panel



Controller cabinet



Sprinkler piping

KONE TransitMaster™ basic data

	E50	E60
Inclination	30°	30° or 27.3°
Level steps	2, 3 or 4 level steps	2, 3 or 4 level steps (5 top only)
Radii	1.5 and 2.7 radius	2.7 radius and more
Maximum vertical rise	15 m	15 m
Step width	600 mm, 800 mm or 1000 mm	600 mm, 800 mm or 1000 mm
Balustrade	Toughened safety glass Solid, either inclined and vertical	Toughened glass Solid, either inclined and vertical
Balustrade height	1000 mm and 1100 mm	1000 mm and 1100 mm
Speed	0.5 m/s, 0.65 m/s and 0.75 m/s 0.2 m/s standby speed optional	0.5 m/s, 0.65 m/s and 0.75 m/s 0.2 m/s standby speed optional
Electrification	EN and ANSI	EN and ANSI
Chain type	Inside chain roller Return of step band by return castings (sprockets are optional)	Outside chain roller Return of step band by return sprockets
V-Handrail	V-type	V-type
Environment	Indoor, semi-outdoor or outdoor	Indoor, semi-outdoor or outdoor

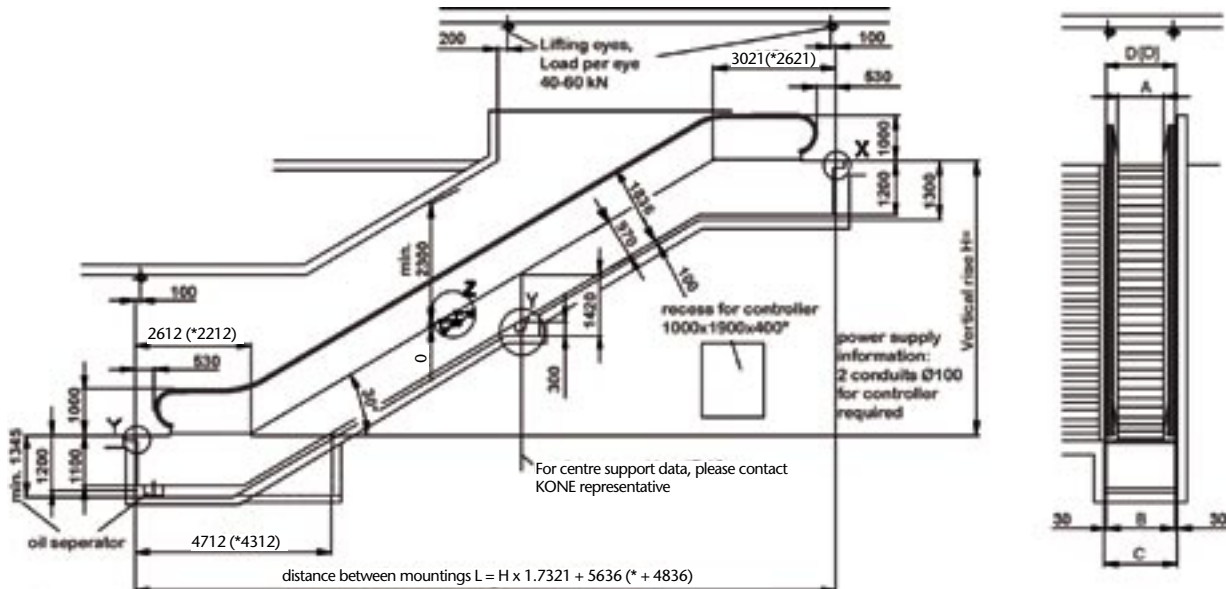
Head dimensions

Radius (upper/lower)	Level steps	Inclination			
		30°		27.3°	
		Upper head	Lower head	Upper head	Lower head
1.5/1.0	2	2621	2212	No	No
	3	3021	2612	No	No
	4	3421	3012	No	No
2.7/2.0	2	2942	2480	No	No
	3	3342	2880	3267	2837
	4	3742	3280	3667	3237
	5	4142	3280	No	No
	(Top only)				

Dimensions

	600 mm	800 mm	1000 mm
Step width (A)	600 mm	800 mm	1000 mm
Escalator width (C)	1204 mm	1402 mm	1600 mm
Pit width (D)	1224 mm	1422 mm	1620 mm

KONE TransitMaster™ 30° with 3 level steps and 1.5/1.0 radii (* with 2 level steps)



KONE TransitMaster™ 27.3° with 3 level steps and 2.7/2.0 radii (* with 4 level steps)

